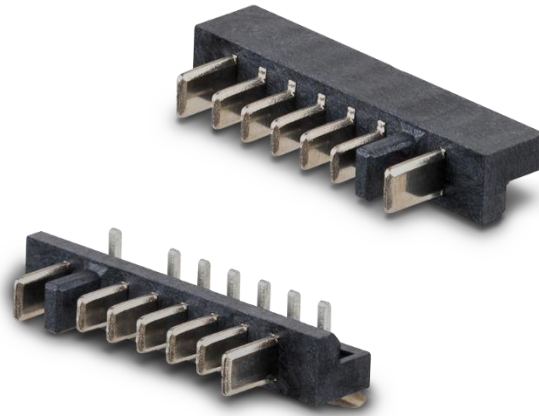


# RRC-MC21-90-20

## Battery Mating Connector

P/N: 211278



### Features:

- Mating connector for standard battery form factors RRC21xx
- 7.00A max. charge or discharge current to battery
- 7-pin male connector
- 2.5mm pitch
- RoHS and REACH compliant

### Applications:

Mating connector for RRC's smart batteries used in medical and industrial applications

## Specification

Ratings	
Current	7.00A max. / pin
Voltage	30.00VDC

Materials	
Housing	Thermoplastic High Temperature, UL 94 V-0, black
Contacts	Copper Alloy
Plating	50µin Nickel on contact area, 100µin Matte-Tin on solder tails

Environmental Condition	
Operating Temperature	-40°C to +105°C

Electrical Requirements	
Contact Resistance	40mOhm max.
Insulation Resistance	100MOhm min. at 500.00VDC / 1min
Dielectric withstand	500.00VAC / 1min

Mechanical Requirements	
Dimensions (LxWxH)	24.50mm x 9.50mm x 4.50mm
Weight	Typical 1g
PCB mounting	90° PCB edge mounting
Contact Retention Force	300g min. / pin

Physical Requirements	
Solder Temperature	260°C ± 5°C
Immersion Period	5sec (EIA-364-56C)

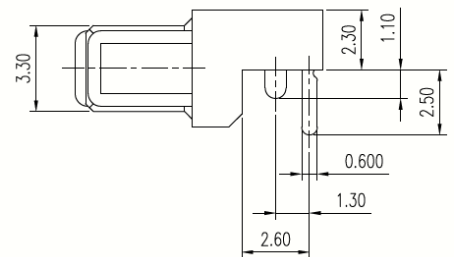
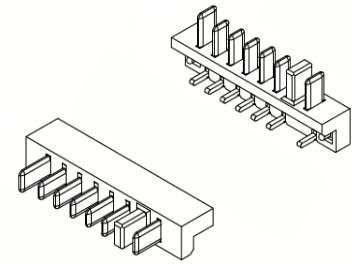
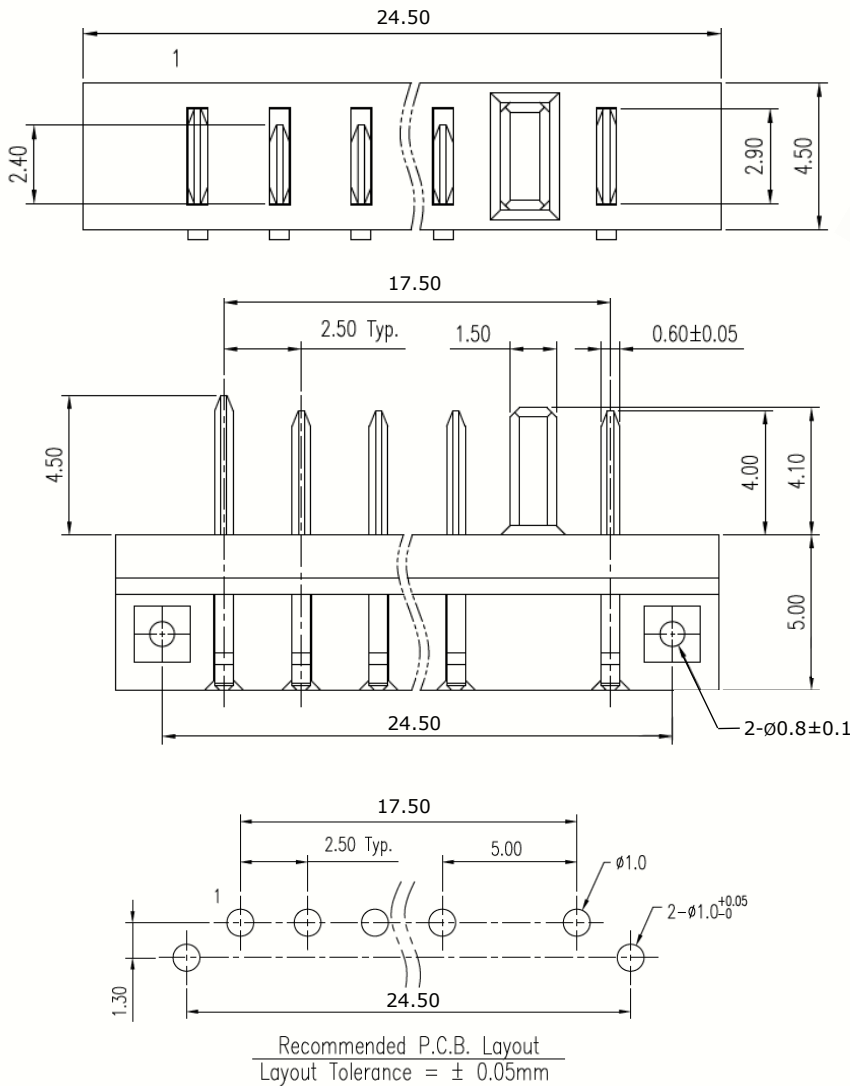
  

Regulatory Approvals	
Green Procurement	RoHS REACH

Packaging	
24 connectors per tube	
200 tubes per carton	

**Drawings**



**Germany/Headquarters**

RRC power solutions GmbH  
Technologiepark 1  
66424 Homburg / Saar

Tel.: +49 6841 98090  
Fax: +49 6841 9809280  
Email: sales@rrc-ps.de  
Web: www.rrc-ps.com

**USA**

RRC power solutions Inc.  
18340 Yorba Linda Blvd.,  
# 107-437  
Yorba Linda, CA 92886

Tel.: +1 714 777 3604  
Fax: +1 714 777 3658  
Email: usa@rrc-ps.com  
Web: www.rrc-ps.com

**Hong Kong**

RRC power solutions Ltd.  
S-V,6/F, Valiant Industrial  
Centre 2-12 Au Pui Wan Street  
Fo Tan, N.T., Hong Kong

Tel.: +852 2376 0106  
Fax: +852 2375 0107  
Email: hkrrc@rrc-ps.cn  
Web: www.rrc-ps.cn

**China**

RRC power solutions Ltd.  
Room 1306, C Building,  
Tianan International building,  
Renmin South Road, Luohu  
District, Shenzhen 518021

Tel.: +86 755 8374 1908  
Fax: +86 755 8374 1861  
Email: hkrrc@rrc-ps.cn  
Web: www.rrc-ps.cn